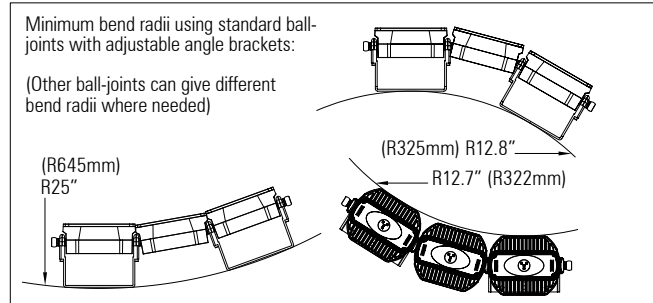
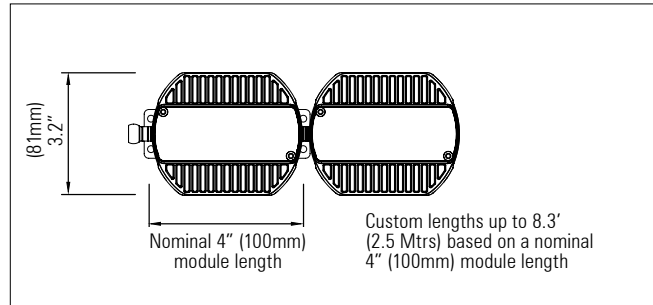


3D LED Flex 100 RGBW IP20 Class 2

1 x RGBW LED array with asymmetric reflector per module

Modular, 3D flexible LED linear lighting system



1 x RGBW LED array with asymmetric white reflector per module

Modular, 3D flexible LED linear lighting system

Product description:

For use in interior lighting applications where the building surfaces are non linear with curved profiles

Each module - 1 x array of 4 x Luxeon CZ LEDs - custom combinations of white and colour LEDs

High efficiency asymmetric white reflector

Up to 10 Watts per 4" (100mm) module. Up to 48 V DC supply

Flexible in 3 dimensions - Articulated ball-joint system between modules

LED pitch is maintained between the modules

Side, back and end power feed and connector options allow for continuous lighting with no dark areas between fixtures. 16 Amp IP20 connectors join fixtures together on-site

Integral LV constant current driver or remote Eldoled 4 Channel DMX driver

Remote DMX/DALI controller can be located up to 164' (50 mtrs) from the fixtures

Satin black, satin white or any RAL paint colour finish

Custom lengths based on a 4" (100mm) module length up to 8.3' (2.5 mtrs)

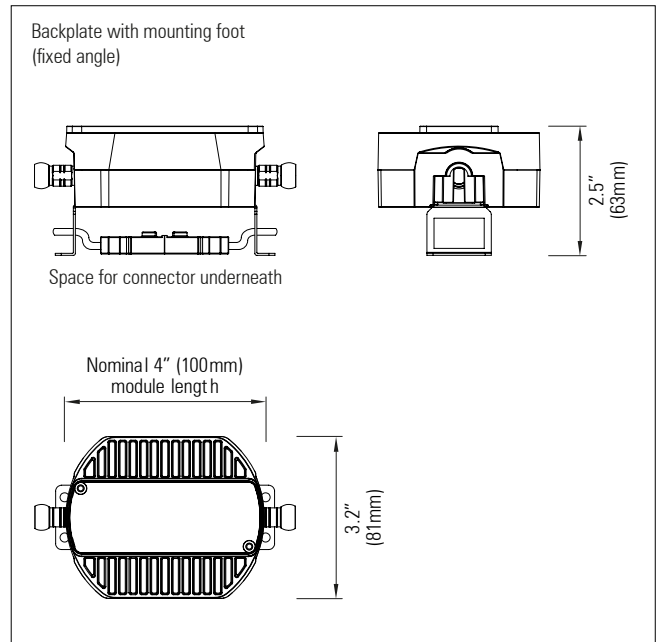
Various mounting options and bracket types are available

Product Code	No. of LEDs	IP	Length	Optics (°)	LED Type	Colour Temp. (K) white LEDs	CRI	Colour LED options	Cover	Feed	Finish
RAD 3D LED FLEX 100 IP20 RGBW - 4	1 x array of 4 x RGBW LEDs per 4" (100mm) module: 4" (100mm) pitch between arrays	20	4" (100mm) -increments of 4" (100mm) up to- 8.3' (2.5 mtrs)	120°	Luxeon CZ LEDs	22=2,200k 27=2,700k 30=3,000k 35=3,500k 40=4,000k 45=4,500k 50=5,000k 57=5,700k 65=6,500k Dynamic white	70 80 90	Far Red, Red, Deep Red, Red-Orange, Amber, PC Amber, Mint, Lime, Green, Cyan, Blue, Royal Blue, Violet	Clear Frosted Opal	End Back Side	Black White Any RAL-colour

3D LED Flex 100 RGBW IP20 Class 2

1 x RGBW LED array with asymmetric reflector per module

Fixed-angle and adjustable-angle mounting bracketry



Fixed-angle and adjustable-angle mounting bracketry for 3D LED Flex 100 IP20. 1 x RGBW LED array with asymmetric white reflector per module

The 3D LED Flex 100 system is flexible in 3 dimensions, which allows it to follow curved building contours

There are a number of bracket options available

Adjustable angle brackets allow the modules to be rotated around the major axis, so that the light output can be aimed precisely

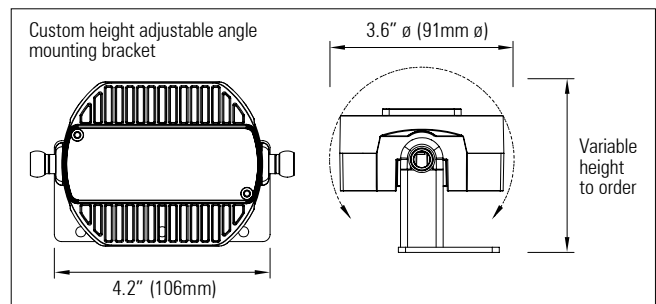
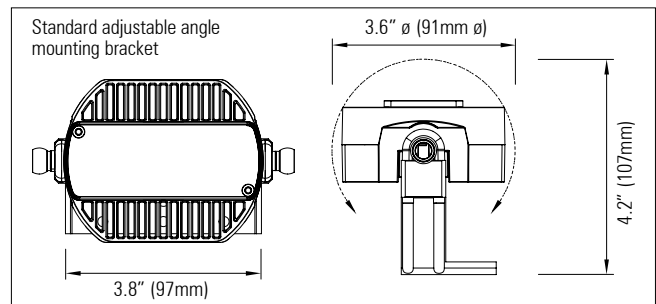
The angle of the modules can be adjusted on-site by hand. The friction ball-joint system keeps the modules correctly positioned. There is also a lockable option, which allows each module to be locked in place using an Allen key once it is correctly positioned

A standard height adjustable angle bracket and a custom height adjustable angle bracket are available

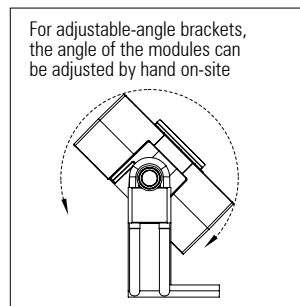
Fixed angle bracket options are also available. The standard fixed angle bracket has a mounting foot which has space for the connectors to fit underneath the modules

Custom options are also available

The brackets are aluminium with a powder coat finish which is available in satin black, satin white or any RAL paint colour finish



Product code	IP	Finish	Height of legs
RAD 3D LED FLEX 100 IP20 FIXED ANGLE BRACKET WITH MOUNTING FOOT	20	Black White Any RAL - colour	Custom height version only:
RAD 3D LED FLEX 100 IP20 ADJUSTABLE ANGLE BRACKET CUSTOM HEIGHT AL			0.79"
RAD 3D LED FLEX 40 IP20 ADJUSTABLE ANGLE BRACKET CUSTOM HEIGHT AL			-increments of 0.2" up to- 11.8"

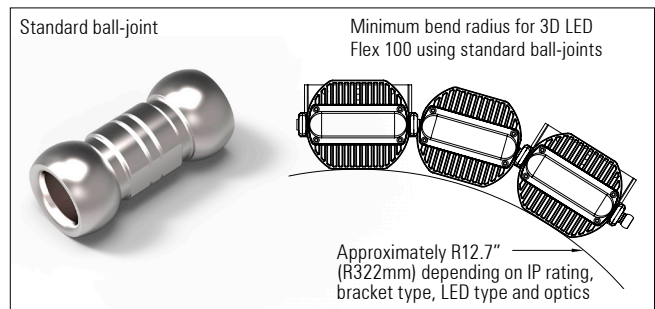


Product description:

Radiant's 3D LED Flex 100 system comprises a patented articulated ball-joint system which links the heatsink modules.

The ball-joints system allows the strips to bend and twist in 3 dimensions, so that they can follow any building contours, whilst maintaining a constant LED pitch.

There are various types of ball-joint to suit different applications, some of which can be seen on this data sheet. Please contact Radiant to discuss custom solutions.



Product Code	Material	Length
STANDARD BALL-JOINT BALL-JOINT TIGHT BENDS BALL-JOINT LONG	Nickel-plated brass	(For longer ball-joints) 3.9" (100mm) 7.9" (200mm) 11.8" (300mm) Custom lengths

